

Atlas Air A5000

**Kit Number:
AA57338**

**Fits:
Chevrolet Silverado HD
and GMC Sierra HD**

Engineered and Assembled in the USA

Installation Instructions

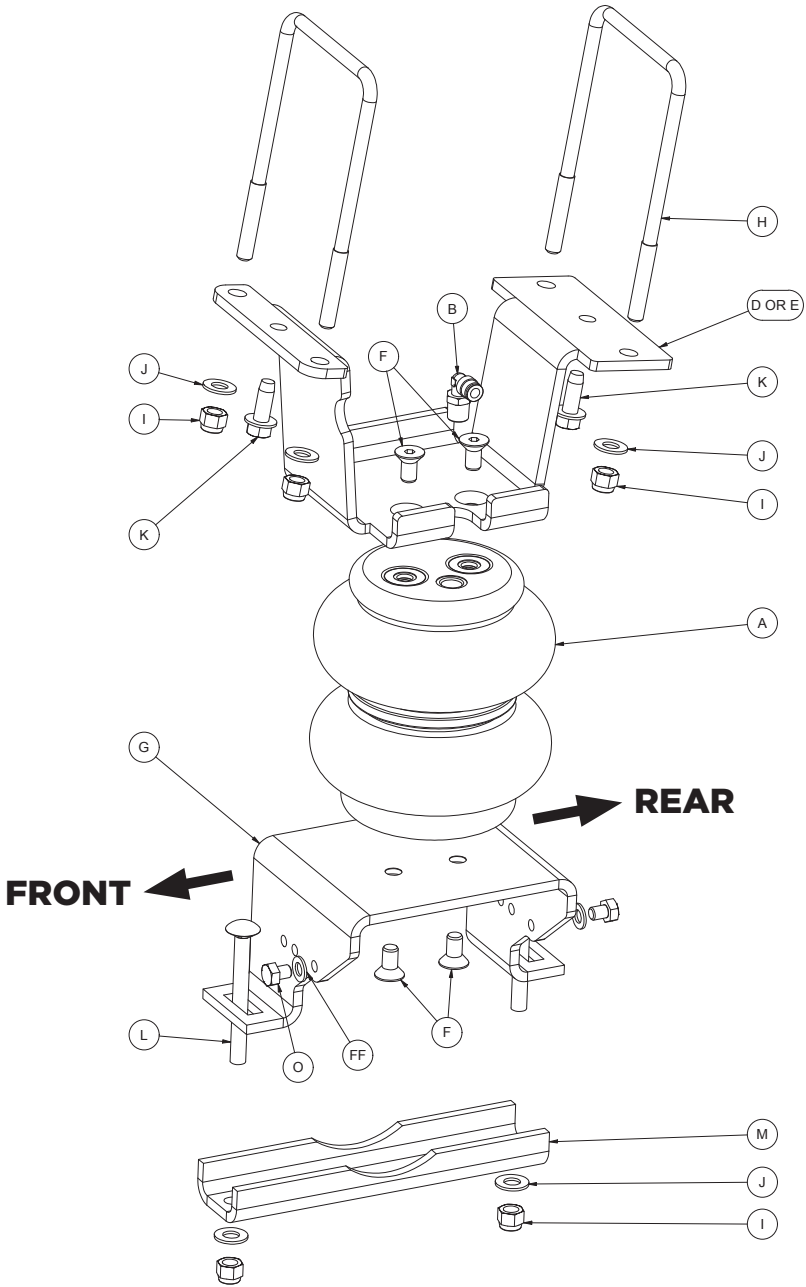
Before Getting Started

For optimal performance and safety, read all instructions thoroughly before beginning the installation. Failure to read and follow these instructions may lead to improper installation and potential safety risks.

Tools Needed

- Standard and metric open-end or box wrenches
- Ratchet
- Standard and metric, regular and deep-well sockets
- 7/32" Hex-key wrench
- 13 mm Ratcheting wrench
- Torque wrench
- 5/16" Drill bit (very sharp)
- Heavy-duty drill
- Hose cutter, razor blade, or sharp knife
- Hoist or floor jacks
- Safety stands
- Safety glasses
- Air compressor or compressed air source
- Spray bottle w/ dish soap/water solution

AA57338 Exploded Installation View



Parts List

Part	Part No.	Part Description	QTY
A	58403	Air spring	2
B		Push-to-connect fitting	2
D	07202	Upper bracket, right	1
E	07203	Upper bracket, left	1
F		3/8"-16 x 3/4" Flat-head screw	8
G	03087	Lower bracket	2
H		U-bolt	4
I		3/8"-16 Nylon lock nut	12
J		3/8" Flat washer	12
K		3/8" Self-tapping screw	4
L		3/8"-16 x 3 1/2" Carriage bolt	4
M	01851	Clamp bar	2
O		M8-1.25 x 10mm Hex cap screw	3
P*		3/8"-16 Serrated flange lock nut	1
Q*	26333	Emergency brake cable bracket	1
AA*		Air line assembly	1
BB*		Zip ties	6
CC*		Valve cap	2
DD*		Star washer	2
EE*		Rubber washer	2
FF		M8 Flat washer	5
GG*		5/16" Hex nut	4
HH*		Heat shield kit	1
KK*	13955	Spacer	1

* These parts are not shown in the Exploded Installation View section

Introduction

This guide is here to walk you through setting up and taking care of your Atlas Air™ A5000 air suspension kit. They are built tough—commercial-grade and reinforced for durability. Think of the air springs like tires: layers of rubber and strong cords work together to manage pressure and maintain shape to help control your ride.

With Atlas Air A5000, you'll get up to 5000 pounds (2268 kg) of support to keep your ride level, and you can fine-tune the pressure anywhere between 5 and 100 PSI (0.34 to 7 BAR). Before diving into the installation or doing any kind of upkeep, make sure to read through the entire manual—it'll save you time and headaches down the road.

Symbols



THIS MEANS THERE'S AN IMMEDIATE AND SERIOUS RISK. IF IGNORED, IT WILL LEAD TO SEVERE INJURY OR EVEN DEATH. ALWAYS TAKE THESE WARNINGS SERIOUSLY.



SIGNALS A DANGEROUS SITUATION OR UNSAFE ACTION THAT COULD CAUSE SEVERE INJURY OR DEATH. IT'S NOT A GUARANTEE, BUT IT'S A BIG RISK—PROCEED CAREFULLY.



These callouts highlight useful advice or important reminders to keep you on track during the process. Don't skip them—they often save time.



Little tricks of the trade to help installation go more smoothly. These tips can make a big difference if you're aiming for a clean, efficient job.

Information

This kit does not increase the Gross Vehicle Weight Rating (GVWR) or payload capacity of your vehicle. Always refer to your vehicle's Safety Compliance Certification Label or owner's manual, and do not exceed the manufacturer's maximum load rating.

- **Gross Vehicle Weight Rating (GVWR):**

The maximum allowable weight of a fully loaded vehicle, including passengers, cargo, and fluids. This value—along with other important specifications like tire size, rim size, and inflation pressure—is located on the vehicle's Safety Compliance Certification Label.

- **Payload:**

The maximum combined weight of passengers and cargo your vehicle is designed to carry. Payload is calculated by subtracting the vehicle's base curb weight from its GVWR.

Air Pressure Guidelines

While Atlas Air A5000 air springs are engineered to handle a **maximum inflation pressure of 100 PSI (7.0 BAR)**, the actual pressure required will vary based on the vehicle's load and total weight. Always adjust air pressure according to your specific load conditions—**not solely based on the maximum pressure limit.**

Ride Height and Suspension Limits

Always maintain the correct ride height by adjusting the air pressure based on your current load. Shock absorbers typically act as the suspension limiters on extension. If they do not, particularly on off-road vehicles, consider using limiting straps to prevent overextension.

Brake System Considerations

Vehicles equipped with a **rear brake proportioning valve** may experience changes in braking performance when using a load-assist product. **Consult your dealer** before installation. If your vehicle **does not** have a proportioning valve or is equipped with an **anti-lock brake system (ABS)**, the installation of an air spring kit **will not affect braking performance.**

System Install

Build Air Springs

1. *Install Elbow Fitting*

Thread the 90-degree elbow fitting (B) into the top port of the air spring (A). Tighten the fitting by hand until finger-tight, then turn an additional 1 1/2 rotations. Only apply torque to the metal hex portion of the fitting—do not overtighten.

2. *Attach Upper Brackets*

Mount the appropriate upper bracket (D or E) onto the top of the air spring using 3/8" flat-head bolts (F). Align the bolt holes, then tighten all bolts securely.

3. *Attach Lower Brackets*

Install the lower bracket (G) onto the bottom of the air spring assembly using 3/8" flat-head bolts. Ensure the angled portion of the lower bracket is aligned with the side of the air spring where the air fitting is located.

4. *Ensure Orientation*

Confirm that all components are securely attached and that the orientation of the brackets matches the required left or right configuration. The air fittings and angled lower brackets face inward towards the center of the vehicle.

Vehicle Preinstall Steps

1. *Raise and Support the Vehicle*

Raise the vehicle frame and securely support it with safety stands. Lower the rear axle as far as possible to allow for installation clearance.

2. *Remove Jounce Bumpers*

Using a pry bar or large flathead screwdriver, remove the jounce bumpers from the jounce bumper brackets on both sides.

3. *Remove Emergency Brake Cable Bracket Bolt*

Remove the bolt securing the emergency brake cable bracket to the inside of the driver's (left) side frame rail.

4. *Remove Bracket Bolts at Jounce Bumper Strike Plates*

Remove the three bolts that secure the brake line and emergency brake cable brackets to the jounce bumper strike plates located forward and behind the rear axle.

5. Clear Lines from Strike Plates

Carefully pull the brake and emergency brake lines away from the jounce bumper strike plates to create space for the air spring lower brackets. Remove the following bolts:

- The brake line bracket bolt from the rear jounce bumper strike plate on both the driver's (left) and passenger's (right) sides.
- The emergency brake cable bracket bolt from the front of the passenger's (right) side jounce bumper strike plate.

Air Spring Installation into Vehicle

1. Position the Air Spring Assembly

With the suspension hanging, place the left- and right-hand air spring assemblies over the axle jounce bumper strike plates. Ensure the air fittings face inward toward the center of the vehicle.

2. Nest the Upper Brackets

Align the upper brackets to nest around the jounce bumpers located under the frame.

- **For vehicles with a fifth-wheel hitch bracket continue with step 3 then jump to step 9.**
- **For vehicles without a fifth-wheel hitch bracket skip step 4.**

3. Drill Frame and Install Self-Tapping Screws (vehicles with fifth wheel hitch brackets)

Using the holes in the upper brackets as a guide, drill two 5/16" holes through the frame—one forward and one behind the jounce bumper cup. Install self-tapping screws (K) and torque all four to 15 lb.-ft. (20Nm).

4. Remove Heat Shield (if equipped) (vehicles without fifth wheel hitch brackets)

On late-model vehicles with a heat shield above and forward of the axle on the passenger side, use a ratcheting wrench to remove the bolt securing the shield. Use caution—edges may be sharp. Save the bolt for reinstallation.

5. Install Spacer and Reattach Heat Shield

Place the supplied spacer (KK) between the heat shield and frame. Reinstall the shield using the original bolt.

6. Install Upper Bracket U-Bolts

Insert two U-bolts (H) over the top of the frame and through the holes in the upper bracket. Raise the axle if needed to allow bracket contact with the frame. Insert the U-bolts between the brake line and harness without pinching them.

7. Secure U-Bolts

Install four 3/8" nylon lock nuts (I) and flat washers (J). Torque the nuts evenly in a crisscross pattern to 10 lb.-ft. (14Nm). Repeat the process on the opposite side.



Ensure the U-bolt is positioned between the brake line and wiring harness. Do not pinch these components.



If needed, slightly bend the heat shield to fit the U-bolt over the frame.

8. Confirm Installation with Spacer

Verify proper fit on vehicles with a heat shield above the axle and spacer installed. Proceed to lower bracket installation.

9. Secure the Cable with Bracket

Reattach the emergency brake cable using the cable bracket (Q) and a 3/8" serrated flange lock nut (P). Mount it to the forward inside leg of the U-bolt on the driver's side. Tighten securely. Use pliers if needed to align the clamp holes.

10. Align and Position Lower Brackets

Position the lower bracket laterally (in or out) to best align with the air spring. Insert two 3/8" carriage bolts (L) through the bracket mounting legs.

11. Install Clamp Bars

Place the lower clamp bar (M) over the carriage bolts and secure using two 3/8" nylon lock nuts (I) and flat washers (J). Torque evenly to 16 lb.-ft. (22Nm).

12. Reattach Brake and Emergency Brake Lines (Rear Axle)

Using the provided M8 screws (O) and flat washers (FF), attach the brake and emergency brake lines previously removed from the rear of the axle to the new mounting points on the lower bracket. Tighten securely.

13. Attach Forward Emergency Brake Cable (Passenger Side)

Use the remaining M8 screw (O) and washer (FF) to attach the forward emergency brake cable to the passenger side bracket. Tighten securely. Bend the bracket slightly if needed for clearance.

Air Lines Installation

1. *Select Schrader Valve Locations*

Choose suitable locations for the Schrader valves. If necessary, drill a 5/16" (8 mm) hole at each selected location. Common locations for mounting are inside fuel tank filler door, inside rear wheel wells, or by the license plate mount or rear bumper area.

2. *Measure and Cut the Air Line*

Measure the length of air line needed to reach your intended Schrader valve locations. Cut the air line (AA) using a sharp razor blade or hose cutter to make clean, square cuts. Do not use scissors or wire cutters, as these can deform the tubing and compromise the seal.

3. *Route and Secure the Air Line*

Route the air line (AA) from each air spring to the chosen Schrader valve locations. Plan the route to avoid sharp edges, moving parts, and heat sources. Once routed, use zip ties (BB) to secure the air line to stable points along the vehicle chassis. Do not pinch or kink the line. Leave at least 2" (51 mm) of slack to accommodate movement. The air line's minimum bend radius is 1" (25 mm).



Maintain a minimum of 5 1/2" (140 mm) clearance between all air lines and any part of the exhaust system. Avoid routing air lines over sharp edges or making tight bends.

4. *Install Schrader Valves*

Install the Schrader valves into the selected locations.

Heat Shield Installation (if provided in kit)

1. *Position the Heat Shield*

Place the heat shield over the exhaust pipe near the air spring. Maintain at least 1/2" (13 mm) of clearance between the shield and the exhaust surface. Depending on the design of the heat shield included in your kit, you may need to bend the tabs or the shield itself to achieve proper fitment and spacing.

2. *Install the Air Line Thermal Sleeve (if included)*

If your kit includes a thermal sleeve, slide it over the section of air line that runs closest to the exhaust. This sleeve helps protect the line from excessive heat exposure.

3. *Secure Components with Hose Clamps*

Use hose clamps to secure the heat shield and thermal sleeve (if used). Apply double clamps where needed for added security. Make final adjustments to ensure all components are properly spaced and firmly in place.

Checklist

Ensure the air suspension system is correctly installed and safe for operation by completing the following checks:

1. Clearance Verification

Inflate the air springs to 50 PSI (3.45 BAR). Confirm a minimum clearance of 1/2" (13 mm) between the air springs and any adjacent components, including tires, brake assemblies, the vehicle frame, shock absorbers, and brake lines. Adjust as needed to prevent contact during operation.

2. Heat Clearance Check

Verify that all air springs and air lines are positioned at least 5 1/2" (140 mm) away from any heat sources.

3. Leak Inspection

With the system pressurized to 50 PSI (3.45 BAR) inspect all fittings, air lines, and connections for leaks. All leaks must be fully resolved prior to road testing.

4. Road Test Procedure

Inflate the air springs to the recommended operating pressure and conduct a 10-mile (16 km) road test. Upon completion, re-inspect for adequate clearance, air leaks, and secure fasteners.

5. Torque Confirmation

After 500 miles (800 km) of driving, recheck and torque all hardware to the specified values to ensure long-term stability and safety.

Adjusting Air Pressure

Stability

Properly adjusting air pressure is key to achieving both vehicle stability and correct ride height. Begin by increasing pressure until the suspension feels firm and controlled—without exceeding the maximum of 100 PSI (7 BAR). Ensure the vehicle sits level across all four corners. Uneven loads may require redistributing cargo or adjusting air pressure side to side.

Comfort

Ride quality is also influenced by air pressure. Too much or too little can cause harshness or instability. As a general rule:

- If the vehicle frequently bottoms out on the frame, increase air pressure.
- If the ride feels overly stiff or harsh, reduce air pressure slightly.

Adjust gradually to find the best balance between comfort and control.

Guidelines

1. Check System Pressure Weekly

Inspect the air pressure in the system at least once a week to ensure consistent performance and ride quality.

2. Maintain Proper Ride Height

Always operate the vehicle at the recommended ride height. Do not exceed 100 PSI (7.0 BAR) under any circumstances.

3. Inspect for Air Leaks as Needed

If you suspect a leak, follow these steps to identify and address the issue:

- a. Inflate the air springs to 50 PSI (3.45 BAR).
- b. Spray all air line connections and the inflation valve with a mild solution of liquid dish soap and water.
- c. Wait 30 seconds and observe for any bubbles, which indicate a leak.
- d. Recheck the system pressure after 24 hours. A pressure loss of 2–4 PSI (0.14–0.28 BAR) is normal after initial installation. If the pressure drops by more than 5 PSI (0.34 BAR), recheck for leaks.
- e. Once testing is complete, adjust the air spring to the minimum pressure required for proper ride height.

4. Inspect Hardware and Component Alignment

Periodically check that all fasteners are properly torqued. Also, check for signs of rubbing or misalignment, and realign components as needed.

5. Clean the Air Springs

Occasionally, spray the air springs with clean water to remove mud, dirt, or debris that may collect during use.

6. Lift the Vehicle with Care

If lifting the vehicle by the frame, reduce system pressure to 5 PSI (0.34 BAR) to relieve tension on the air springs and mounting hardware.

Repair Guide

Fixing Leaks on Barbed Fittings

1. Cut the air line 1 1/2" (38 mm) behind the existing fitting.
2. Use pliers or locking pliers to twist and pull the air line off the fitting.

**REMEMBER...**

Do not cut lengthwise, as this may damage the barbs and lead to future leaks.

3. Reinstall the air line and clamp (if applicable), making sure the air line fully covers all barbs for a proper seal.

Fixing Leaks on Push-to-Connect (PTC) Fittings

To Disconnect:

1. Release all air pressure from the system.
2. Push the air line inward toward the fitting.
3. While holding the air line in, press the collar inward toward the fitting.
4. With the collar depressed, pull the air line out.

Before Reconnecting:

5. Cut off the end of the air line just beyond the witness mark to ensure a clean, undamaged sealing surface.
6. If the fitting leaks at the threads, remove it, apply fresh thread sealant, and reinstall it 1 1/2 turns beyond finger-tight.

To Reconnect:

7. Push the air line into the fitting until fully seated.
8. Gently pull back on the air line to verify a secure connection.

Warranty

What this warranty covers

Atlas Products Company provides a warranty to the original purchaser of its Load Support Products, for the periods of time listed at AtlasProducts.com, by product line, from the date of original purchase, that the products will be free from defects in workmanship and materials when used on cars and trucks as specified by Atlas Products Company and under normal operating conditions, subject to the requirements and exclusions set forth below.

What this warranty does not cover

The warranty does not apply to products that have been improperly applied, improperly installed, or that have not been maintained in accordance with the installation instructions furnished with all products. This warranty does not apply and is void if damage or failure is caused by: accident, abuse, misuse (including but not limited to racing or off-road activities or commercial use), abnormal use, faulty installation, liquid contact, fire, earthquake or other external cause; operating the product outside Atlas Products Company's instructions, specifications or guidelines; or service, alteration, maintenance or repairs performed by anyone other than Atlas Products Company to the product from its purchased condition. This warranty also does not apply to: consumable parts, such as batteries, cosmetic damage, including but not limited to scratches or dents; defects caused by normal wear and tear or otherwise due to the normal aging of the product, or if any serial or identification number has been removed or defaced from the product. Atlas Products Company reserves the right to change the design of any product without assuming any obligation to modify any product previously manufactured.

Limitation of liability

To the extent permitted by law, this warranty and the remedies set forth herein are exclusive and in lieu of all other warranties, remedies and conditions, whether oral, written, statutory, express or implied. ATLUS PRODUCTS COMPANY DISCLAIMS ALL STATUTORY AND IMPLIED WARRANTIES, INCLUDING WITHOUT LIMITATION, WARRANTIES OF MERCHANTABILITY AND FITNESS FOR A PARTICULAR PURPOSE AND WARRANTIES AGAINST HIDDEN OR LATENT DEFECTS TO THE EXTENT PERMITTED BY LAW. To the extent such warranties cannot be disclaimed, such implied warranties shall apply only for the warranty period specified above. Please note that some states do not allow limitation on how long an implied warranty (or condition) lasts. So the above limitation may not apply to you.

Except as provided in this warranty and to the extent permitted by law, Atlus Products Company shall not be liable for any direct, special, incidental or consequential damages resulting from any breach of warranty or condition, or arising in connection with the sale, use or repair of Atlus products, or under any other legal theory, including but not limited to loss of use, loss of revenue, loss of actual or anticipated profits, loss of the use of money, loss of business, loss of opportunity, loss of goodwill, and loss of reputation. Atlus Products Company's maximum liability shall not in any case exceed the purchase price paid by you for the Atlus product. Please note that some states do not allow the exclusion or limitation of incidental or consequential damages, so the above limitation or exclusion may not apply to you.

How to get service

If a defect in workmanship or materials causes your Atlas product to become inoperable within the warranty period, before returning any defective product, email Atlas Products Company at support@atlusproducts.com. The consumer shall be responsible for removing the defective product from the vehicle (including any labor charges) and returning it, shipping costs prepaid, to Atlas Products Company for verification. You must prove to the satisfaction of Atlas Products Company the date of original purchase of your Atlas product. A minimum \$10 shipping and handling charge (plus applicable sales tax) will apply to all warranty claims. You must also pack the product to minimize the risk of it being damaged in transit. If we receive a product in damaged condition as the result of shipping, we will notify you and you must seek a claim with the shipper.

What Atlas Products Company will do

If you submit a valid claim to Atlas Products Company during the warranty period, and Atlas determines that the product was defective, Atlas Products Company will, at its option, repair your Atlas product or furnish you with a new or rebuilt product. Atlas Products Company will not reimburse you for repairs or replacement parts provided by other parties. Your repaired or replacement Atlas product will be returned to you (subject to payment of the required warranty claim shipping and handling charge), and it will be covered under the warranty for the balance of the warranty period, if any. When a product or part is replaced, any replacement item becomes your property and the replaced item becomes the property of Atlas Products Company. You are responsible for the installation/reinstallation (including any labor charges) of the product.

How the law relates to this warranty

This warranty gives you specific legal rights and you may also have other rights which vary from state to state. By this warranty, Atlas Products Company does not limit or exclude your rights except as allowed by law. To fully understand your rights, you should consult the laws of your state.

Customer Support

For Customer Service support, please contact us at:
support@atlusproducts.com

Atlus Products Company reserves the right to make changes and improvements to its products and publications at any time.



Engineered and Assembled in the USA

Document No. AM-1226
Revision (022510)
ECR 10488

California:  WARNING: Cancer and Reproductive Harm - www.P65Warnings.ca.gov